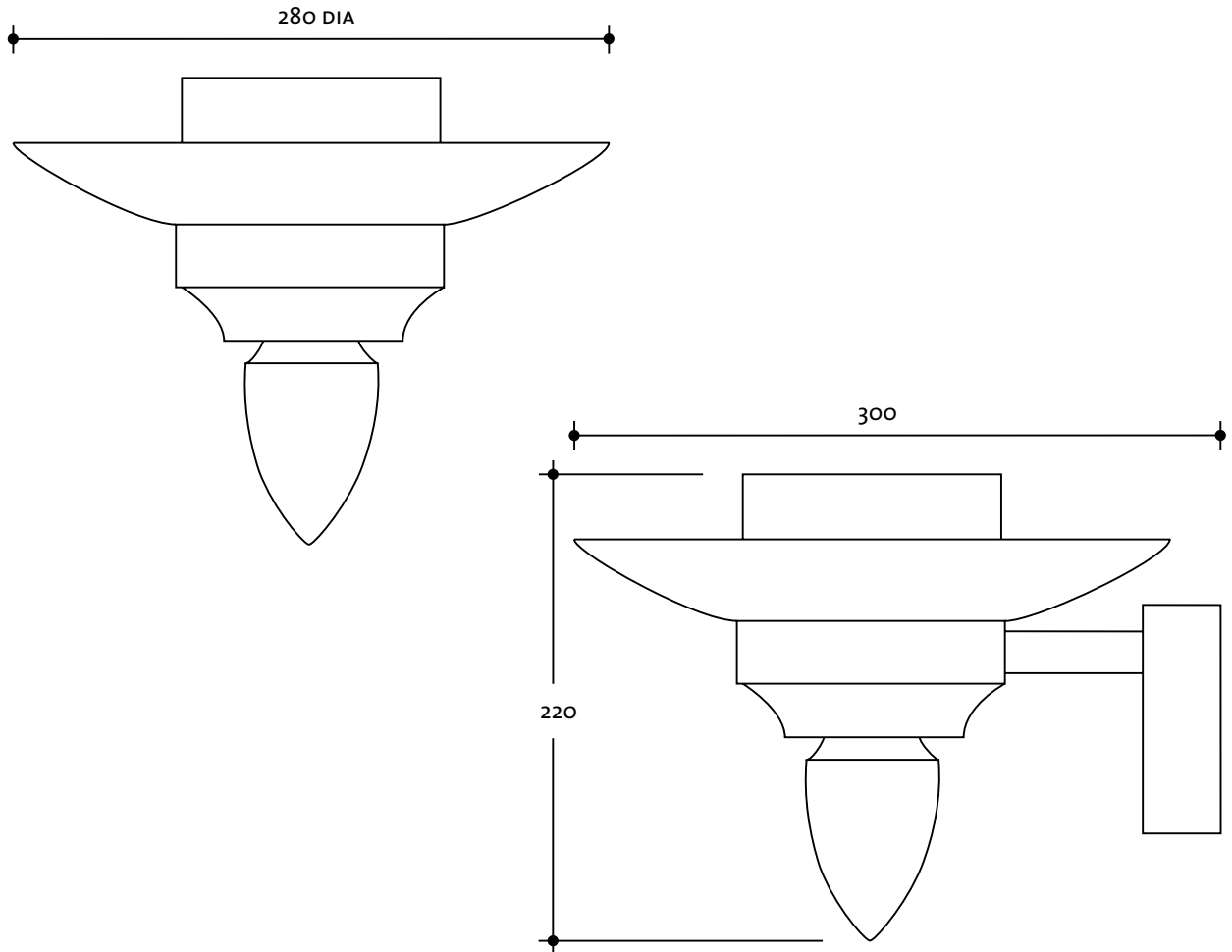


THE QUICKSILVER FLAMELIGHT

PRODUCT SPECIFICATION

All dimensions in mm



APPROX FLAME HEIGHT	200mm
CONSTRUCTION	mild steel flame unit and wall-mounted bracket, spun aluminium bowl
FEATURES	optional decorative finials
FINISH	mirror / pewter, optional custom finish
WEIGHT	3.5kg
ELECTRICAL SPECIFICATIONS	1 x 12vAC x 35w lamp 56w maximum power consumption 3 amp in-line fuse rating 240v 50Hz power supply

Flamelight have a policy of continuous improvement and specifications are subject to change.



PATENTS AND COPYRIGHT: All Flamelight™ products are legally protected by Design Copyright and Patent.



NB: Flamelights have been designed to create a totally safe and realistic flame effect, however a regular maintenance system must be in place to maintain the illusion of natural flame. Silks and bulbs will require replacement dependent on usage and the environment in which it is used. All purchase products are supplied with a service kit and a replacement flame. Flamelights should be installed above or at eye-level. All products are for indoor use only.

Contact
Lightmoves Pty Ltd

03 9701 2500

email: info@lightmoves.com
www.uniqueflamelight.com

